
Pet-Pilot® MAX Wicker - owners guide



visit travelin-k9.com to purchase accessories

General Use guidelines

1. Is your pet too heavy for this basket???
 - a. Body Size and Leg Length are KEY!! ... not your pets weight.
2. **Please use Caution!** The weight of the basket and your pet on the handlebars will change the steering and braking characteristics of your bicycle.
 - a. We recommend a few “practice” rides with a weight (close to your pets’ weight) placed inside the basket so you can become familiar with braking and steering changes.
3. Never leave your pet unattended inside the basket. Most bicycle kickstands are not designed to hold your bike upright with a basket and a pet mounted on the handlebars.
4. Your Pet-Pilot® Wicker can be cleaned by vacuuming the interior and using a soft bristled brush on the exterior to remove dried dirt, followed by light cleaning with a damp cloth and a quick rinse.
5. Do not attach Safety Leash to your pet’s collar – ONLY attach to a harness fitted for your pet.

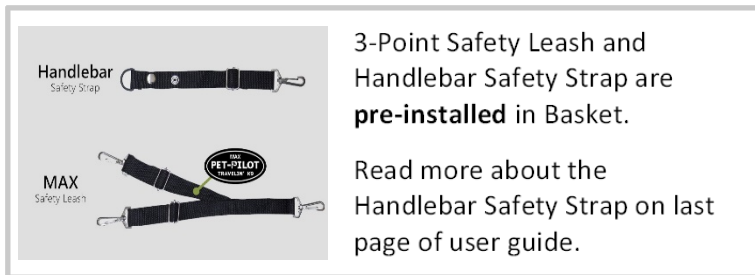
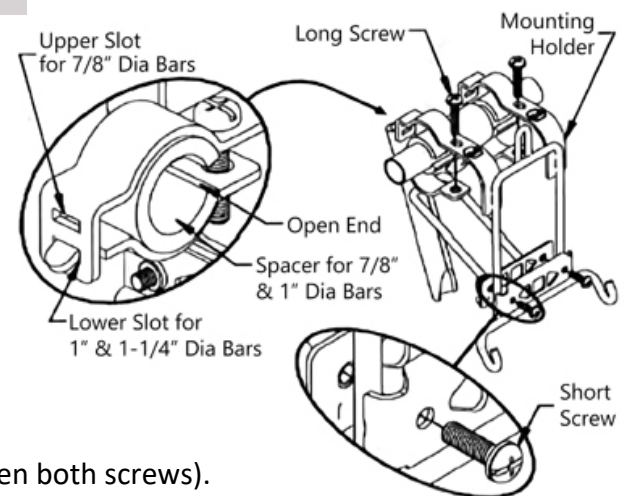
Parts Included with Mount - shown below



Optional Spacer Tube: The Spacer Tube can be used for handlebars that extend further out, preventing the Support Bar from making solid, non-slip contact.



Mounted parts illustration below:

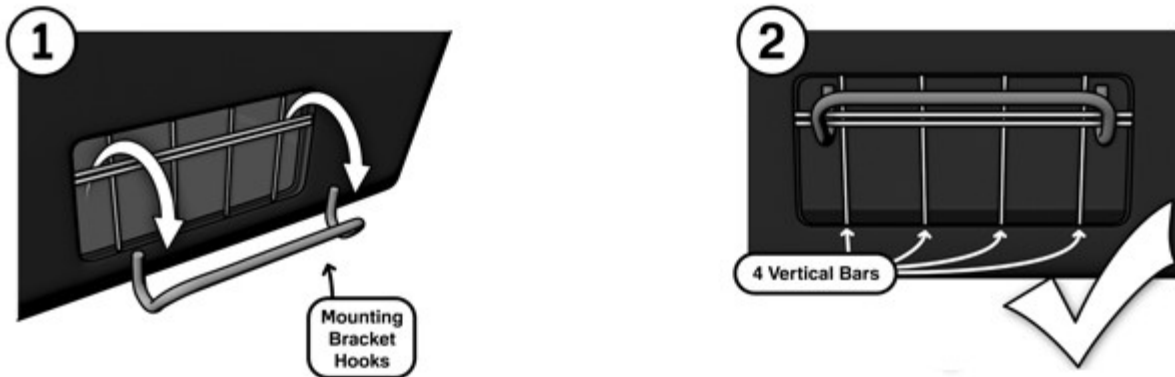


Installing the Mount on your handlebars:

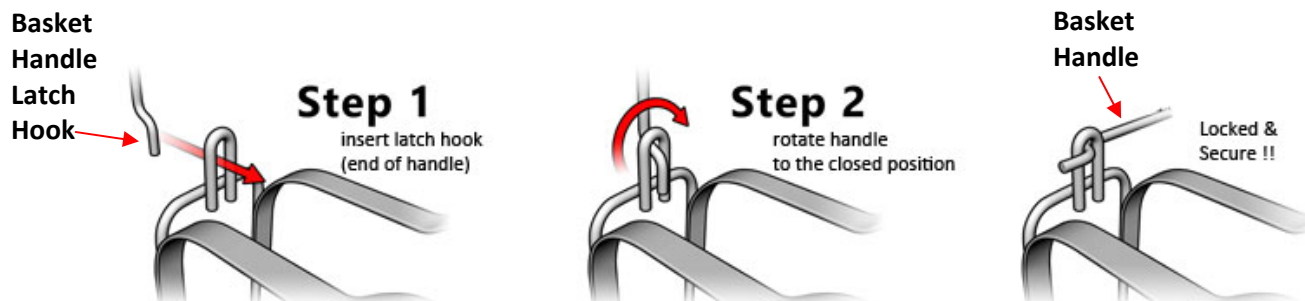
1. Attach **sliding support bar** as shown above (loosely tighten both screws).
2. Place **rubber bushings (or rubber strips)** on handlebars with open end by screw.
 - a. Hold **mount main body upper clamps** in position over rubber bushings.
 - b. Place (1) **galvanized lower clamp tab** in appropriate rear slot.
 - c. Install the threaded bolt for the galvanized lower clamp from the top, through the hole in the upper clamp (snug but not tight). Repeat for other side.
3. Center and adjust the mount clamps and rubber bushings on the handlebars.
 - a. Determine the proper angle for the mount body and adjust accordingly (**see b & c below**).
 - b. The angle from the **latch slot** to the (2) **hooks** will determine how your basket will sit on the mount. (top of basket should be level or slightly high in front).
 - c. Once you find your desired angle, slide the support bar up until it contacts the handlebar assembly or frame. Use the optional **Spacer Tube** if the support bar is too short.
4. Tighten all (4) screws and test fit the basket to check if level or slightly high in front. Loosen and adjust as necessary to achieve your desired basket position.

Locking (Latching) your Pet-Pilot® MAX Wicker on the mount

1. Position both Mount Hooks under the double horizontal wire support bar (in opening on rear of basket). There will be 4 vertical wires between hooks as shown below.



2. Lock the basket to the mount by first lifting the padded handle to the upright position.
 - a. Insert the Latch Hook (in **Step-1, second image below**) located at the end of the basket handle.
 - b. Give a slight squeeze (basket to mount) to ensure the latch is fully through the latch slot.
3. Rotate handle down to original position (**Step-2, second image below**) to close and lock the basket to the mount.



NOTE: We personally test fit every basket & mount together prior to shipping to ensure proper Basket to Mount connection.

Installing the Safety Containment Top (with sunshade)

1. Unbuckle all 4 straps
2. Place the wire top snugly inside the basket (about an inch below the top basket rim) and then wrap the (4) straps over the bottom wire rim ... re-buckle to secure.
3. Sunshade is held in place with 4 Velcro strips. This may be removed at your discretion.



About the Handlebar Safety Strap

Directions: The optional handlebar safety strap is easy to attach to your bike's handlebars. Simply loop the tether around your handlebar and connect the clasp to the D-Ring. The strap does not have to be tight.

Function: When detaching the basket from the mount this handlebar safety strap can help prevent dropping the basket during removal. The safety strap is added assurance your Pet-Pilot bike basket will remain attached to your bike in case of an unforeseen event.



**Need additional help with installation or with troubleshooting?
Call us at 309-550-7248. We are here to help!**

WARNING! – With any cargo loaded in the Pet-Pilot®, the additional weight on the handlebars will affect steering and braking - please use caution! Travelin'K9 is not liable for any damage caused by aggressive, destructive, immature or untrained pets; additionally, Travelin'K9 is not liable for damage or injury caused by a bicycle operators loss of balance caused by the additional weight of the mounted basket and/or a pet in the basket, or improper mount installation.

- Not intended for long legged (Tall) pets. The Pet-Pilot has been designed to support smaller, non-aggressive pets. Never leave your pet unattended in the Pet-Pilot®.
- Do not attach Safety Leash to your pet's collar – ONLY attach to a harness fitted for your pet.

Looking for additional Accessories?

We have extra mounts for an additional bike, 9 different color inserts to change the look of your basket, or replacement parts. Order these items online at www.travelin-k9.com

Limited 1-year warranty - (48 contiguous USA only): Travelin'K9, Inc. warrants to the original consumer, that this product will be free of defects for a period of one year from the date of purchase. Travelin'K9's liability here under is limited to the replacement of the product only. This warranty is void if the product has been damaged by accident, unreasonable use, neglect, tampering or other causes not arising from defects in material or workmanship.

To exercise your warranty: If during the warranty period, your product malfunctions, please email (or call) the retailer who sold you this item for return instructions.

Travelin'K9 Customer Service Help Center

610 N. 5th Street, Suite B, Pekin, IL 61554 • info@travelin-k9.com • (309) 550-7248